



Application

The CP-B Access weighing hook is easy to use and compact, and can be quickly and easily put into service. It is provided with a configurable infrared remote control. Protection against shocks and overloads (safety factor : K = 5).

European directives

- Directive 89/336/CEE related to *Electromagnetic Compatibility*.
- Directive 73/23/CEE related to *Low Voltage* equipment.
- Directive 89/392/CEE related to machines.

Metrological approval

CE type approval certificate issued by a notified organisation according to directive 90/384/CEE related to *Non-Automatic* weighing instruments.

Available models

HML Model :

Model	Max.	d
CP-B Access	1 500/3 000/6 000kg	0,5/1/2 kg

ML Model :

Model	Max.	d
CP-B Access	1 500/3 000/5 000kg	1/2/5 kg

General presentation

Display :

- Six 25 mm digits LCD with backlight.

Keypad :

- Leaktight with 4 touch-sensitive keys.

Housing :

- Painted steel.

Remote control :

- Infrared (range 8 m).

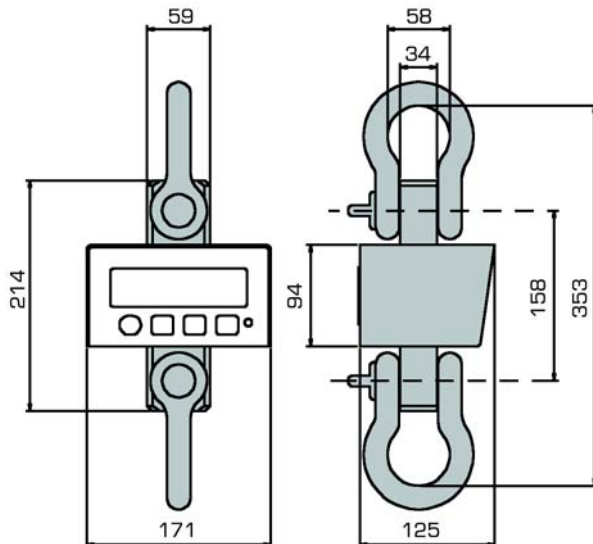
Functions



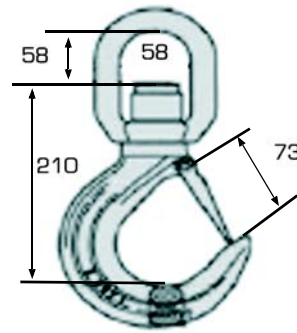
- ON/OFF.
- Zero reset.
- Automatic tare (Key F1 / F2).
- Weighing with totalisation.
- Memory of maximum value.
- Maintain weight display.

Technical characteristics

Dimensions in mm :



Rotating hook : Optional



Electrical characteristics

Power supply 9 V battery supplied.

Endurance up to 35 hours.

Options & Accessories

Rotating safety hook : 8 tonnes.



Supplied with case.



Your weighing specialist

Illustrations are not contractual. Precia-Molen reserves the right to modify at any time, without prior notice, the information contained in this leaflet.

Offices and Factory
P.O. Box 106 - F 07000 Privas - France
Tel. 33 (0) 475 664 600
Fax 33 (0) 475 658 330
E-MAIL webmaster@preciamolen.com
RCS : 386 620 165 RCS Aubenas

PRECIA
MOLENTM