



Operator interface

User-friendly I410 terminal including a backlit graphic screen and a 10-function key keyboard.

The terminal is available in 2 versions:

- ▼ I410 D to be integrated in a remote box or cabinet
- ▼ I410 D-S in an IP66 stainless steel box mounted on the conveyor by a column.



Presentation

The CKW 410 LOG checkweigher is designed for the weight acquisition of automatically conveyed products as well as the transmission of this information to a PLC-type or management PC external device.

Its robust design and its measurable load capacity makes it particularly adapted to logistics.

- ▼ Dynamic or static weight measurement.
- ▼ Tolerance check.
- ▼ Missing product check.
- ▼ Order compliance check.
- ▼ Transport fee estimation.
- ▼ Legal for trade or non trade use.
- ▼ Field bus or serial mode communication.
- ▼ Eased integration into the handling line.
- ▼ Available in standard version or stainless steel version.

Mechanical build

- ▼ PVC belt: 400 or 600 mm length on slider bed.
- ▼ Length: 800, 1000 or 1200 mm.
- ▼ Height: 700 or 800 mm +/-50 mm fine adjustment.
- ▼ 50 Hz speed: 30 m / min (adjustable by frequency inverter).
- ▼ Maximum pace: 60 parcels per minute.
- ▼ Balanced bi-conical Ø 80 motor drum.
- ▼ Balanced bi-conical Ø 50 rear drum.
- ▼ Mounting on 4 stainless steel load cells.
- ▼ Weight measurement cell.
- ▼ Painted or stainless steel build.

Electrical cabinet

Painted or IP66 stainless steel box including:

- ▼ Main power breaker.
- ▼ Powered indicator.
- ▼ Emergency stop.
- ▼ Conveyor forced operation switch.
- ▼ Connection with terminal via gland.

European conformities

- ▼ 2006/42/EC directive related to machines.
- ▼ 2004/108/EC directive related to electromagnetic compatibility.
- ▼ 2006/95/EC directive related to low voltage equipment.

Metrological approval

- ▼ Certification according to MID 2004/22/EC directive as XIII(1) and Y(a) classes checkweigher.

Environmental characteristics

- ▼ 90 - 230 V 50 - 60 Hz single-phased power supply.
- ▼ Maximum consumption: 0,5 kW.
- ▼ IP65 protection.
- ▼ Use temperature: +5°C / +40°C.
- ▼ Storage temperature: +15°C / +30°C.

Integration into the handling line

Digital input/output terminal that can be easily integrated to the handling line.

48 V DC / 100 mA outputs

- Checkweigher operating.
- Upstream conveyor monitoring.
- Alarm etc...

8-30 V DC / 7.5 kΩ inputs

- Cycle start.
- Checkweigher stop.
- Forced operation.
- Upstream conveyor cell, etc...

PLC/PC communication

In connected mode, it offers the PLC or PC a complete check of the checkweigher and the retrieval of weight data for each product.

- ▼ RS232/RS485 serial link, slave or PM master MODBUS RTU protocol.
- ▼ Profibus, DeviceNet, Ethernet Modbus TCP, Ethernet/IP ou Profinet field buses.

In non connected autonomous mode, the retrieval of weighing data onto a USB memory stick can be done via a USB port.

Standard range

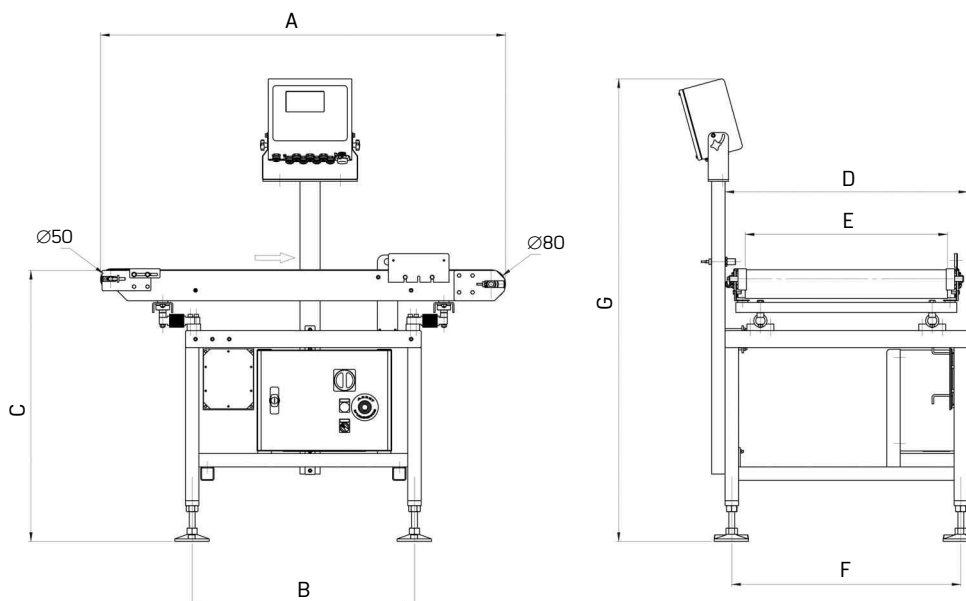
A (mm Ov*)	B (mm CC**)	C (mm)	D (mm Ov)	E (mm)	F (mm CC)	G (mm)	Capacity (kg)	Presentation
800	660	700/ 800 ±50	520	400	480	1275 ±50	30 or 60	standard or SS
1000	660	700/ 800 ±50	520	400	480	1275 ±50	30 or 60	standard or SS
1200	660	700/ 800 ±50	520	400	480	1275 ±50	30 or 60	standard or SS
800	660	700/ 800 ±50	720	600	680	1375 ±50	30 or 60	standard or SS
1000	660	700/ 800 ±50	720	600	680	1375 ±50	30 or 60	standard or SS
1200	660	700/ 800 ±50	720	600	680	1375 ±50	30 or 60	standard or SS

* Overall.

** Centre-to-centre distances.

Stainless steel version: Platform, Housing, Drums and Electrical cabinet in 304L stainless steel. Belt quality designed for food industry.

Dimensions



Your specialist

Illustrations not contractual. Precia-Molen reserves the right to alter the characteristics of the equipment described in this brochure at any time.

PRECIA-MOLEN Headquarters & Factory
 BP 106 - 07000 Privas - France
 Tel. 33 (0) 475 664 600
 Fax 33 (0) 475 664 330
 E-MAIL webmaster@preciamolen.com

RCS: 386 620 165 RCS Aubenas

